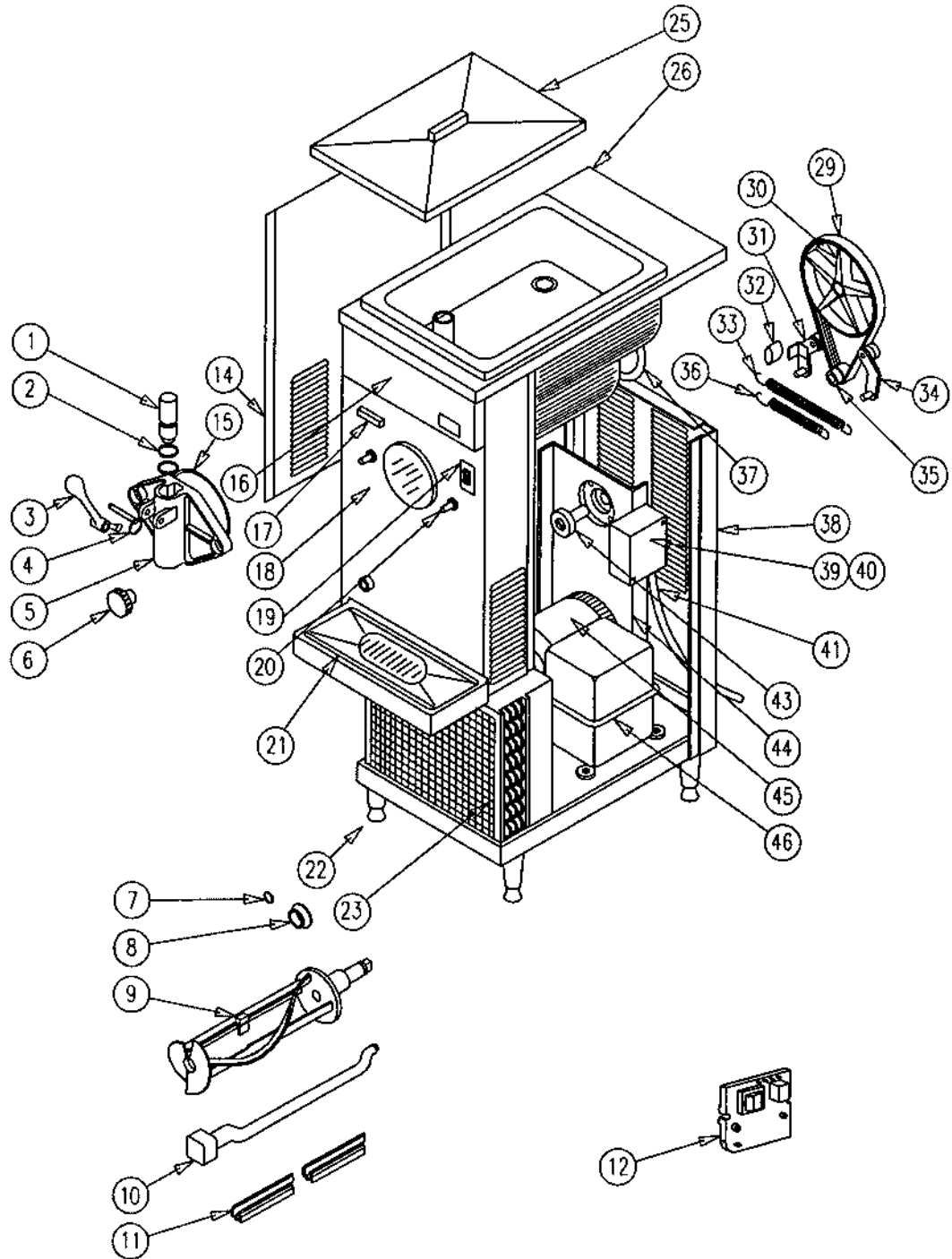


Parts List
(115V, 1PH, 60 Hz)
Model 707

Saniserv.Net

- 1. Spigot Plunger 105503
- 2. Spigot Plunger
O-Ring (2) 58923
- 3. Spigot Handle 65632-01
- 4. Faspin 64255
- 5. Front Plate 65631-01
- 6. Front Plate Knob (2) 64065
- 7. Dasher O-Ring 58917
- 8. Rear Seal 108541
- 9. Dasher Assy. 3113-01
- 10. Stator Rod 65633
- 11. Scraper Blade (2) 104984
- 12. Liquid Level Control Board 70599
- 14. Side Panel (2) 105497-11
- 15. Front Plate O-Ring 58911
- 16. Upper Front Panel
Panel Retainer 105314
Logo 16039
- 17. Mix Out Light 61395
- 18. Mix Out Light Cable 13245
- 19. Front Panel 105490-11
- 20. Auto/Cleanout Switch 70023
- 21. Switch Decal 9510
- 22. Front Plate Stud (2) 7107
- 23. Drip Tray Support 108976
- 24. Drip Tray 108867
- 25. Drip Tray Insert 108868
- 26. Leg (4) 64135
- 27. Condensing Assy. 75823
- 28. Fan Motor 75595
- 29. Fan Blade 75365
- 30. Shroud Guard 109535
- 31. Mix Pan Lid 107794
- 32. Top Cover & Evaporator
Assembly 105981
- 33. Belt 58887
- 34. Driven Pulley 10212
- 35. Key, 1/4" Sqr. 3621
- 36. Torque Idler 104973
- 37. Cushion 104648
- 38. Torque Spring 64040-02
- 39. Adjusting Cable 103745
- 40. Bell Idler 103249
- 41. Drive Pulley 10652
- 42. Key, 3/16" Sqr. 3632
- 43. Idler Spring 64515
- 44. Spring, Tension
Adjustment Nut 2959
- 45. Drain Tube 105471
- 46. Drip Pan 107242
- 47. Back Panel 105496-11
- 48. Wiring Box Assy 15622
- 49. High Pressure Switch 71012
- 50. Bracket 106486
- 51. Wiring Box Cover 61161
- 52. Cord Set 61266
- 53. Motor Saddle, Support
1/8" Spacer 104267
- 54. Motor Support (3)
1/2" Spacer 104398-02
- 55. Motor Support 104398-03
- 56. Bearing & Shaft 2858
- 57. Evaporator Support 107581
- 58. Torque Switch 70008
- 59. Dasher Motor 1/2HP 75272
- 60. Ground Wire 104194
- 61. Compressor 1/2HP 75827
- 62. Start Capacitor 76475
- 63. Compressor Overload 76476
- 64. Current Relay 76477



Refrigeration Parts

- 3/8" Access Valve 71021
- Drier 71022
- Expansion Valve 71035
- Refrigerant R404A

ORIGINAL

181009

SaniServ
Exploded View

Model 707
Description 115V, 1PH, 60Hz
Wiring Box 15622
Wiring Dia. 81173-02

BOM 7070050
File 181009F.DWG
ECN 1387
Date 7/15/02
Sheet 1 of 1

F