

- (2) CAP. TUBES 3084
- (2) NEEDLE VALVES 71060
- (2) CARB. TUBES 105692
- (2) CARB. INSERTS 105979
- (4) O'RINGS 58947

change

10615

- SLT IDLERS 103249-01
- SLTS 58897
- SLLEYS 10232
- BUSHINGS 10257
- IG IDLERS 104373
- HIGHWAY 105140
- BR SPRINGS 64815
- RQ SPRINGS 64504
- TORQ. CABLE 105740
- TORQ. CABLE 108745
- BRKT. 106122
- TORQ. GUIDE 105336

- (2) FLOATS 61394
- (2) MIX PAN LIDS 105949
- (2) KNOBS 64420
- (2) NUTS 60037
- (2) O-RINGS 616023
- COVER WIRING BOX 105936

65750
Cut Off To Length

- PANS, EVAPS, & TOP ASSY 105919
- WIRING BOX ASSY IN 15643-21
- ADAPTOR PLATE 105937
- (2) SWITCHES 70029 & DECALS 8810
- (2) MIXOUT LIGHTS 61398
- (4) PAT. FLT. STUDS 7107 & EATEN. 105789
- UPPER FRONT PANEL 105939
- R.H. SIDE PANEL 105951
- (2) 1/2 HP COMPRESSORS 75084
- R.H. BRG. & SHAFT 105732 (L.H. 2858)
- R.H. EVAP. SUPPORT 105763 (L.H. 105761)
- (2) 1/2 HP DASHER MOTORS 76340

- (2) BUSHING, STATOR ROD 10480
- (2) BAR, STATOR 106484
- (2) BEARING, DASHER 10485
- (2) REAR SEALS 10496
- (2) O'RINGS 60303
- (2) DASHERS 104891
- (2) SCRAPER BLADES 104984

- (3) HANDLES 44532
- (2) PLUNGERS 105727
- HANDLE ROD 105720
- (4) O'RINGS 60055
- (2) O'RINGS 58911
- PLUNGER 105720
- CENTER O-RING 58951
- FRONT PLATE 65673
- (4) NUTS 64065

- DRIP TRAY 105934
- TRAY INSERT 105948
- (2) KNOBS 64420
- LOWER FR. PANEL 105940
- FRAME ASSY. 105910
- (4) LEGS 64135
- 751302 PAN BLADES 75812

- CESS VALVES 71021
- PRIMS 71022
- SOL. VALVES 71033
- COIL VALVES 71040
- EXPANSION VALVES 71095

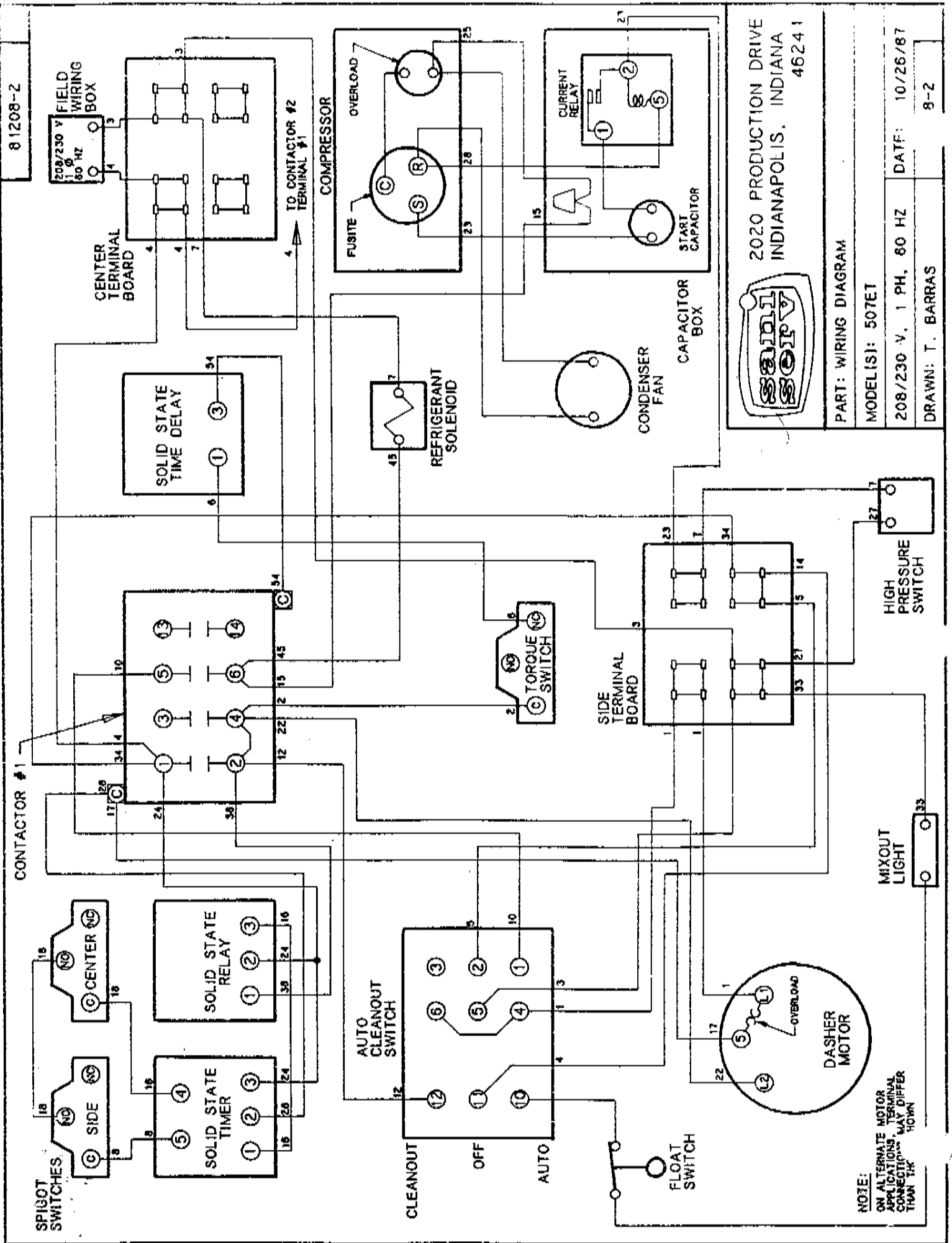
SONET

L.H. SIDE PANEL 105952

- (2) BRKTS. 7139; PANS

SANI-SERV	
EXPLODED VIEW	
MOD. 507E 208/230V 50Hz	
RICK	4-11-81
756 C	

756 C



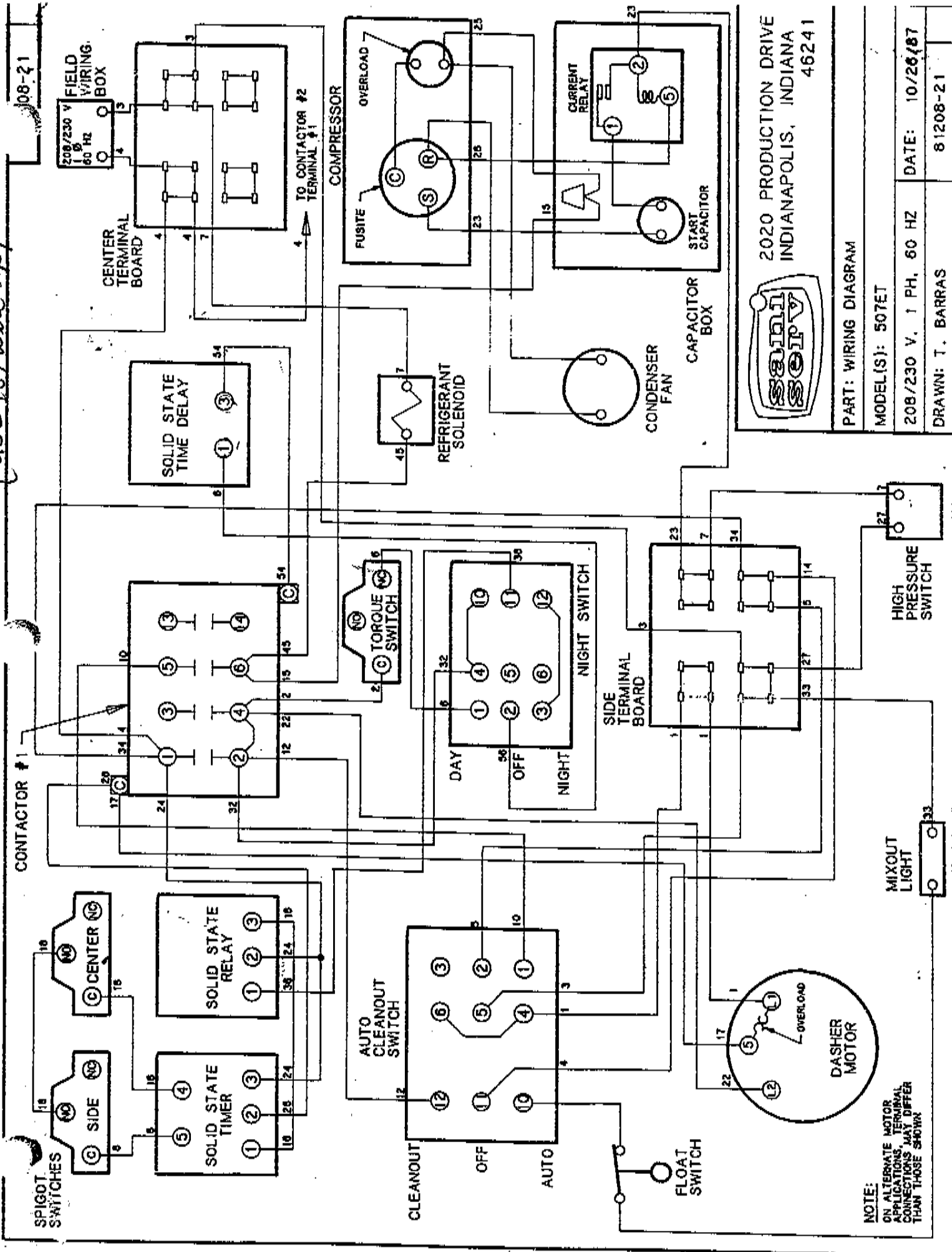
2020 PRODUCTION DRIVE
 INDIANAPOLIS, INDIANA
 46241



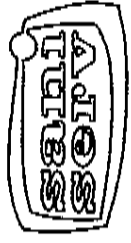
PART: WIRING DIAGRAM
 MODEL(S): 507ET
 208/230 V, 1 PH, 60 HZ DATE: 10/26/87
 DRAWN: T. BARRAS 8-2

NOTE:
 ON ALTERNATE MOTOR
 APPLICATIONS, TERMINAL
 CONNECTIONS MAY DIFFER
 THAN SHOWN

(USE 507 WIRING BOX)



2020 PRODUCTION DRIVE
 INDIANAPOLIS, INDIANA
 46241



PART: WIRING DIAGRAM	
MODEL(S): 507ET	DATE: 10/26/87
208/230 V. 1 PH. 60 HZ	DRAWN: T. BARRAS
81208-21	

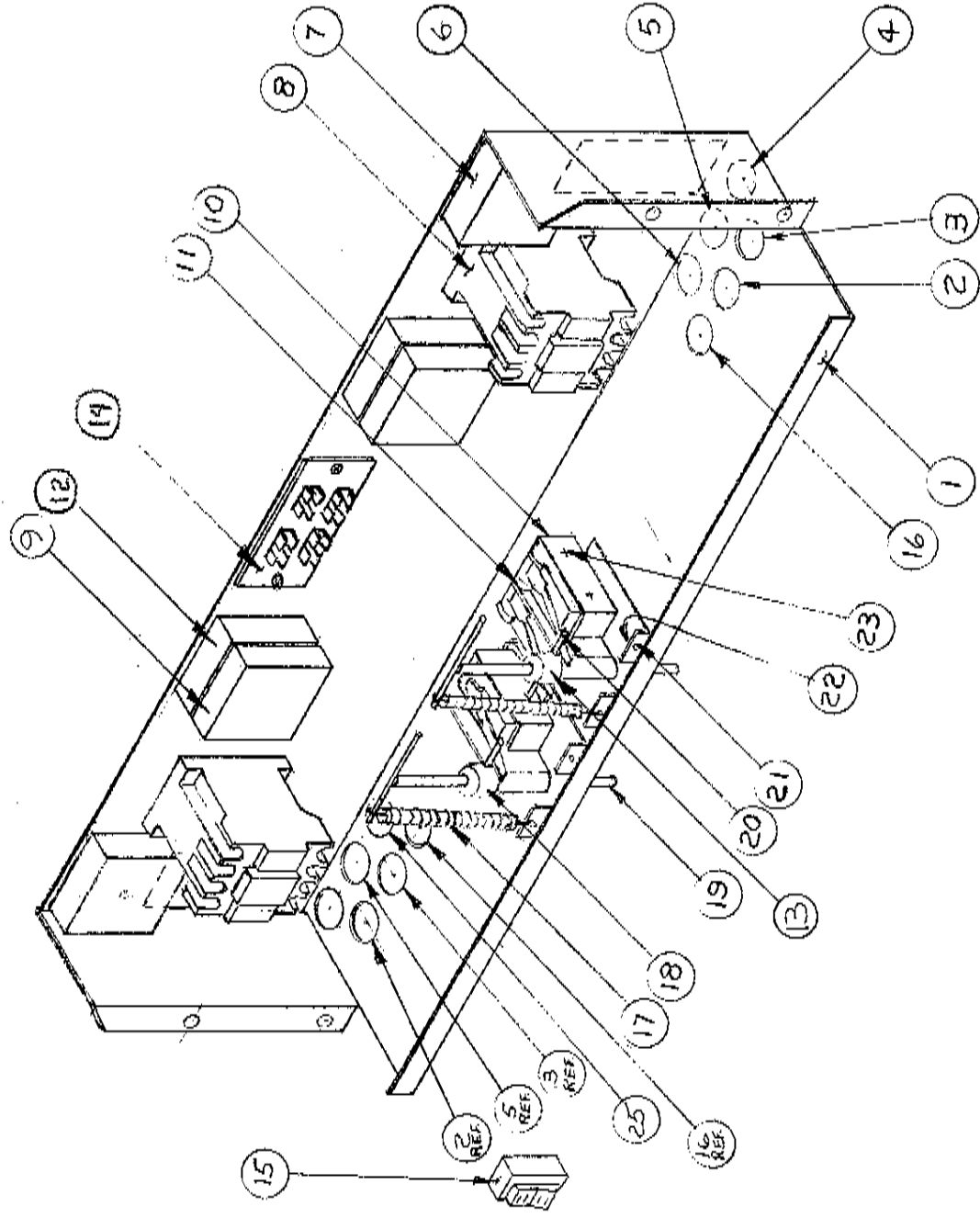
NOTE:
 ON ALTERNATE MOTOR APPLICATIONS, TERMINAL CONNECTIONS MAY DIFFER THAN THOSE SHOWN

Material: A 15643-21 Rev. 3

Mat. Stk. No. Weight

WIRING DIAGRAM # 81208-2

25	FAN CABLE	13161	1
24	WIRE CABLE LIST	13147	1
23	1/8-32 X 2 1/4 RD. HD. SCR.	60086	2
22	1/10-32 X 1/4 FLAT HD. SCR.	59978	6
21	SWITCH BRKT.	105770	3
20	1/4-20 X 1/2 SET SCR.	60186	4
19	PLUNGER	106009	3
18	SHAFT COLLAR	10291	2
17	SPRING	64067	6
16	SOL. CABLE	13146	2
15	ROCKER SWITCH	70023	2
14	TERM. BOARD	61073	3
13	SHAFT COLLAR	105646	1
12	SOLID STATE RELAY	70373	2
11	MICRO SWITCH	70008	4
10	SWITCH COVER	70068	4
9	TIMER	70372	2
8	CONTACTOR	70125	2
7	TIME DELAY	70533	2
6	POWER CABLE	13145	1
5	TORQ. CABLE	13144	2
4	7/8 SNAP BUSHING	61132	12
3	CONPR. CABLE	13143	2
2	MOTOR CABLE	13142	2
1	WIRING BOX	105944	1
PC.	DESCRIPTION	STK. NO.	QTY.



saniserv
5767 DIVIDEND ROAD
INDIANAPOLIS, INDIANA

Part: WIRING BOX ASSY # 208/230V
Mod. No. 507CTR. SOLID STATE B/U to
Drawn: J. POLAND Chkd. Date
Scale: 1" = 1" A 15643-21 B

DO NOT SCALE DRAWING	REMOVE ALL BURRS AND BREAK SHARP CORNERS		
Tolerances	Fractional	Decimal	Angular
Chg Let	Revisions	Date	By
A	PC. 19 WAS 105791; PC. 13 WAS 4007		
B	DELETED PC. 12 (#60197)	5/15/07	JP
	CHANGE PC 26 TO PC 12 DELETE		
	PC 27 CHANGE PC 24 (13147) TO 15		