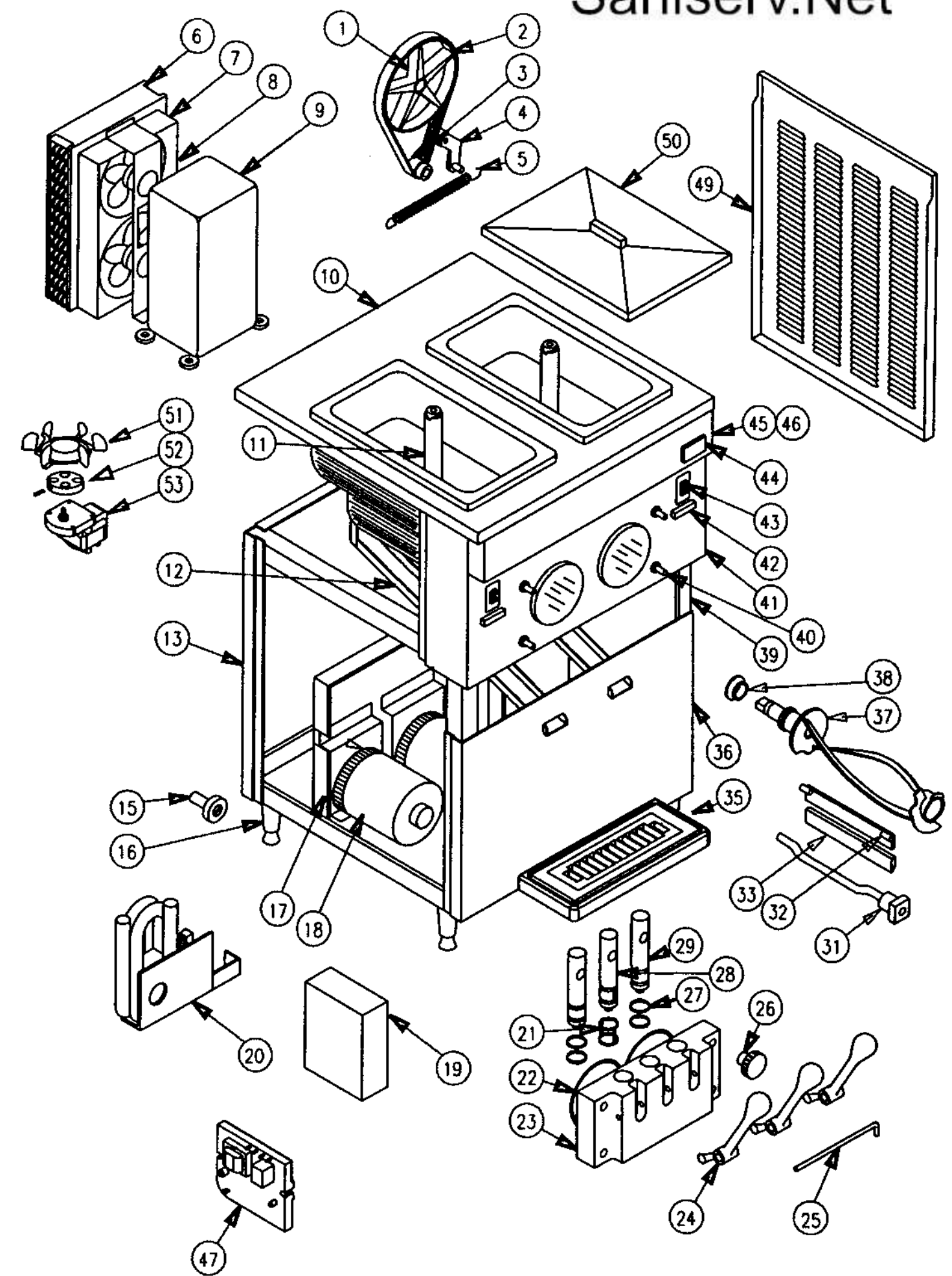


Parts List
(208-230V, 1PH & 3PH, 60 Hz)
Model 501

1. Driven Pulley (2)	10615
Key 1/4 sq. (2)	3621
2. Belt (2)	58891
3. Drive Pulley (2)	10208
4. Belt Idler (2)	See Sheet 2
5. Idler Spring (2)	64504
6. Condenser, 2 HP	75405
7. Shroud Assembly	109242
Fan Mounting Bracket	109255
8. Fan Motors (2)	75432
Fan Blades (2)	75433
9. Compressor 2HP 1PH	75736
Compressor 2HP 3PH	75742
10. Mix Pan/Top Cover Assy.	108056
11. Carb Tube (2)	105692-01
Carb Tube Insert (2)	105979
O-Ring (4)	58947
12. Drip Chute (2)	109260
13. A/C Back Panel	108032
W/C Back Panel	108291
15. L. H. Bearing & Shaft	2858
R. H. Bearing & Shaft	105792
16. Leg (4)	64135
17. Evaporator Support	See Sheet 2
18. Dasher Motor 1HP 1PH (2)	75256
Dasher Motor 1HP 3PH (2)	75641
19. Start Kit Assy 1Ph Compressor	75740
Start Relay	75737
Start Capacitor	75738
Run Capacitor	75739
20. W/C Condenser	75424
Condenser Clamp, Long	108394
Condenser Clamp, Short	108395
Brace, Condenser Mounting	108393
Adaptor, Garden Hose (2)	63082
Bracket, Water Fittings	108391
El Valve Fitting (2)	63022
Water Valve	1593
21. Center O-Ring	58951
22. Front Plate Gasket (2)	57926
23. Front Plate	65795
24. Spigot Handle (3)	65632-01
25. Pivot Rod	106998
26. Front Plate Knob (4)	64065
27. Spigot Plunger O-Ring (4)	58955
28. Center Spigot Plunger	106987
29. Spigot Plunger (2)	106988
30.	
31. Stator Rod (2)	109297
32. Scraper Blade Support (2)	108073
33. Scraper Blade (2)	108075
34.	
35. Drip Tray	108865
Drip Tray Insert	108866
Drip Tray Support	108968
36. Lower Front Panel	108568
37. Dasher (2)	65413
38. Rear Seal (2)	108541
39. Frame	108022
Cover, Wash-out Fittings	107502



40. Front Plate Studs (4)	7107
41. Upper Front Panel	108477
42. Mix Out Light (2)	70423
43. Switch (2)	70023
Switch Decal (2)	9510
44. Logo	16039
45. Wiring Box Cover	108036
46. Wire Box Assy (See Below)	
47. Liquid Level Control Board (2)	70598
49. Side Panel (2)	108387
50. Mix Pan Lid (2)	108302
51. Top Agitator (2)	108919
52. Magnetic Drive (2)	108928
53. Agitator Motor (2)	75816

ORIGINAL

Refrigeration Parts

Capillary Tube (2)	108714
Filter/Drier	71010
EPR Valve (2)	71082
High Pressure Cutout	71090
Expansion Valve (2)	71502
Solenoid Valve (2)	71079
Solenoid Coil (2)	71073

180986

Saniserv
Exploded View

Model 501
Description 208-230V, 1PH & 3PH, 60Hz
Wiring Box 1PH 15808, 3PH 15824
Wiring Dia. 1PH 81343, 3PH 81345

BOM 5011070, 5011170, 5013070, 5013170	
File 180986K1.DWG	
ECN 1387	Date 12/3/01
Sheet 1 of 2	

✓

