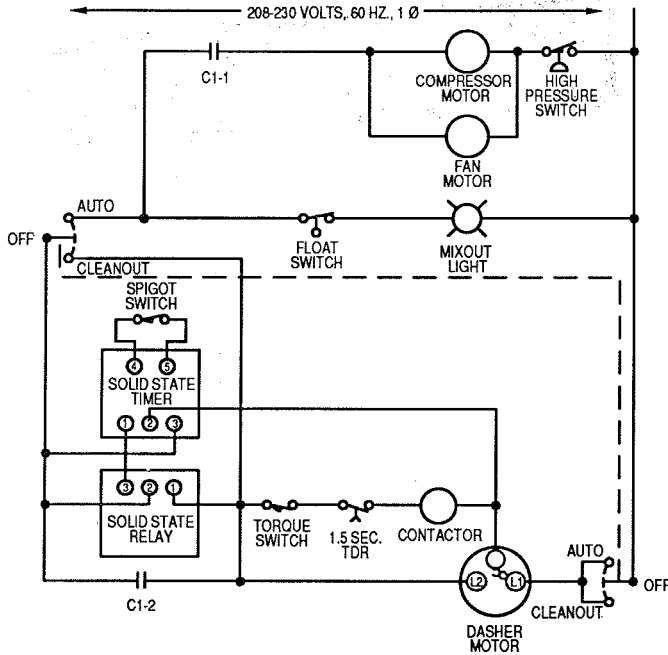
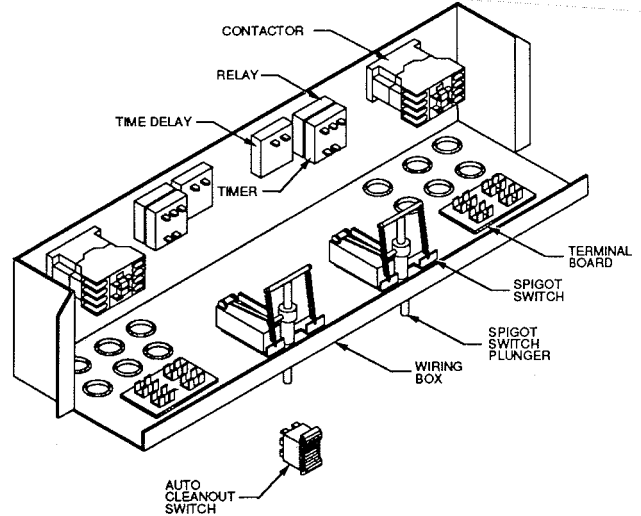


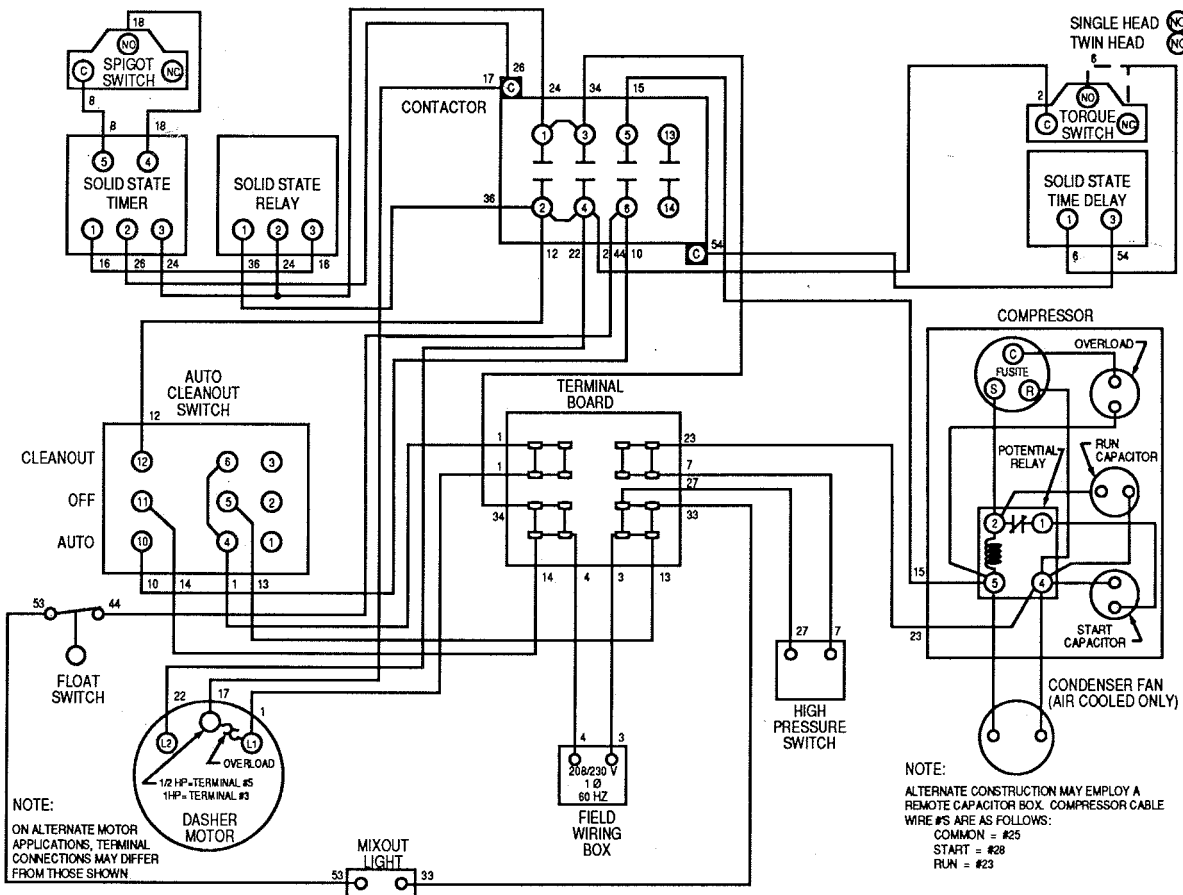
424E



Ladder Schematic



Wiring Box Assembly



NOTE:  
ON ALTERNATE MOTOR APPLICATIONS, TERMINAL CONNECTIONS MAY DIFFER FROM THOSE SHOWN

NOTE:  
ALTERNATE CONSTRUCTION MAY EMPLOY A REMOTE CAPACITOR BOX. COMPRESSOR CABLE WIRE #S ARE AS FOLLOWS:  
COMMON = #25  
START = #28  
RUN = #23

Wiring Diagram