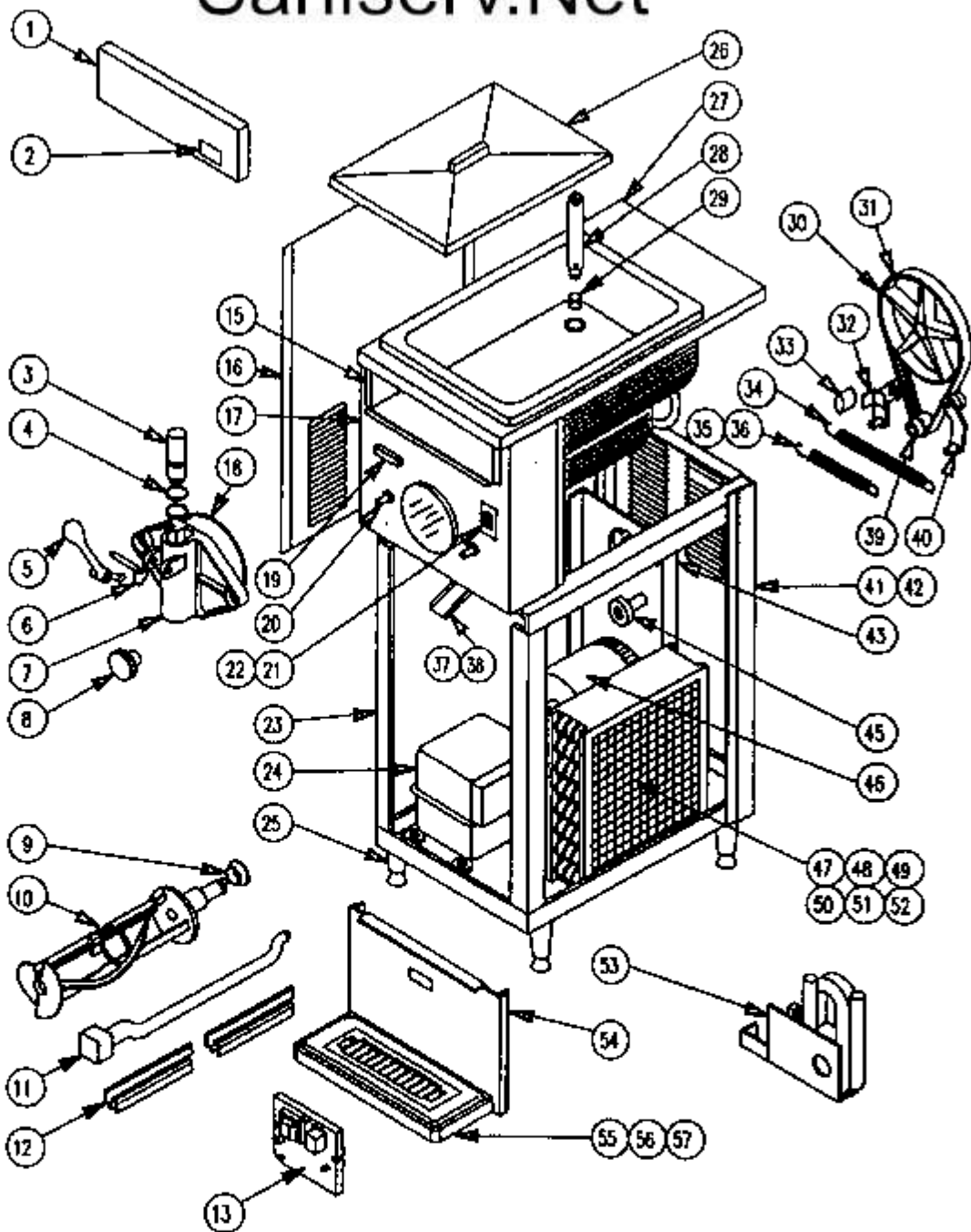


# Saniserv.Net

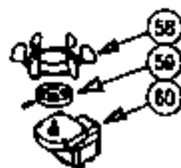
Parts List  
(115V, 1PH, 60 HZ)  
Model 408

1. Wiring Box Cover . . . . . 105345-02
2. Logo . . . . . 16039
3. Spigot Plunger . . . . . 105503
4. Plunger O-Ring (2) . . . . . 58923
5. Spigot Handle . . . . . 65632-01
6. Foam . . . . . 64255
7. Front Plate . . . . . 65631
8. Front Plate Knob (2) . . . . . 64065
9. Rear Seal . . . . . 108541
10. Dasher . . . . . 3113-01
11. Stator Rod . . . . . 85633
12. Scraper Blade (2) . . . . . 104984
13. Liquid Level Control Board . . . . . 70599
15. Wiring Box Assy (See Below)
16. Side Panel (2) . . . . . 106173
17. Upper Front Panel . . . . . 105341
18. Front Plate O-Ring . . . . . 58911
19. Mix. Out Light . . . . . 61385
20. Front Plate Stud (2) . . . . . 7107
21. Switch . . . . . 70023
22. Switch Decal . . . . . 9510-01
23. Freeze Assy. . . . . 105326
24. Compressor 1HP, 1PH . . . . . 75763
25. Assy. Capacitor Box . . . . . 15799
26. Shell Kit . . . . . 76936
27. Lay (4) . . . . . 84135
28. Mix Pan Lid . . . . . 107794
29. Mix Pan and Evaporator  
Top Cover Assy. . . . . 105453
30. Carb Tube . . . . . 105692-01
31. Carb Tube Insert . . . . . 105979
32. Carb Tube O-Ring (2) . . . . . 58947
33. Drive Pulley . . . . . 10207
34. Ball . . . . . 58880
35. Torque Mixer . . . . . 104973
36. Cushion . . . . . 104648
37. Torque Spring . . . . . 64504
38. Mixer Spring Cable . . . . . 103745
39. Mixer Spring . . . . . 64515
40. Drip Chute . . . . . 105360
41. Drip Chute Hanger . . . . . 105369
42. Drive Pulley . . . . . 10208
43. Ball . . . . . 103249
44. A/C Back Panel . . . . . 106172
45. W/C Back Panel . . . . . 106175
46. Evaporator Support . . . . . 106171
47. Bearing & Shaft . . . . . 2858
48. Dasher Motor 1 HP . . . . . 75320
49. A/C Condenser Assy. . . . . 105270
50. Motor Bracket . . . . . 7199
51. Fan Motor . . . . . 75023
52. Fan Blade . . . . . 75312
53. A/C Base Plate . . . . . 106214
54. W/C Base Plate . . . . . 106227
55. W/C Condenser Assy. . . . . 105472
56. Water Valve . . . . . 1593
57. Lever Front Panel . . . . . 106174
58. Drip Tray Support . . . . . 108968
59. Drip Tray Insert . . . . . 108966
60. Drip Tray . . . . . 108965
61. Top Agitator . . . . . 108919
62. Magnetic Drive . . . . . 108928
63. Motor . . . . . 75817



**Refrigeration Ports**

- |                           |       |
|---------------------------|-------|
| Access Valve . . . . .    | 71021 |
| Cap Tube . . . . .        | 3684  |
| Clamp . . . . .           | 64089 |
| Drier . . . . .           | 71003 |
| EPR Valve . . . . .       | 71082 |
| Expansion Valve . . . . . | 71035 |



ORIGINAL

180962

SaniServ	Model 408	BOM 40800MO, 40801MO	
	Description 115V, 1PH, 60Hz	File 180962E.DWG	
Exploded View	Wiring Box 15623-21	ECN 0750	Date 8/16/99
	Wiring Dia. 81314	Sheet 1 of 1	

E