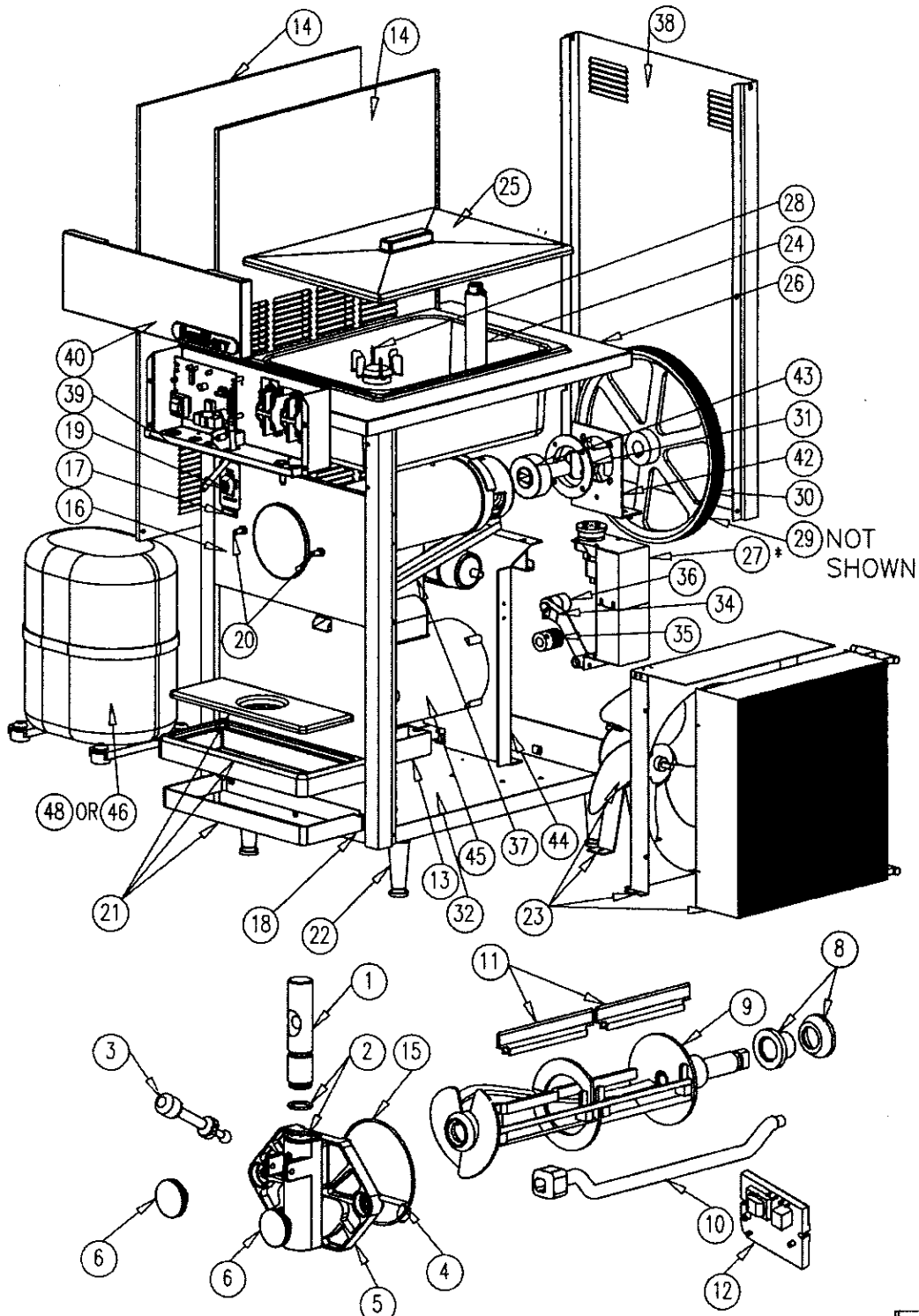


Saniserv.Net

Parts List
 (208-230V, 1PH & 3PH, 60Hz)
 (220V, 1PH, 50Hz)
 Model 404

1. Spigot Plunger..... 105503
2. Spigot Plunger O-Ring (2)..... 58923
3. Spigot Handle..... 65632-01
4. Faspin..... 64255
5. Front Plate..... 65631
6. Front Plate Knob (2)..... 64065
8. Rear Seal Assy..... 108541
9. Dasher Assy..... 3113-01
10. Stator Rod..... 65633
11. Scraper Blade (2)..... 104984
12. Liquid Level Control Board..... 70598
13. Handy Box..... 70037
- Handy Box Cover..... 61041
14. Side Panel (2)..... 109353
15. Front Plate O-Ring..... 58911
16. Front Panel Upper..... 109346
17. Mix Out Light..... 70423
18. Front Panel..... 109345
19. Auto/Cleanout Switch..... 70023
- Switch Decal..... 9510
20. Front Plate Studs (2)..... 7107
21. Drip Tray Support..... 108975
- Drip Tray..... 108867
- Drip Tray Insert..... 108868
22. Leg (4)..... 64135
23. Condenser Assy..... 75434
- Fan Motor..... 75439
- Fan Blade..... 108997
- Shroud Guard..... 109349
- Fan Bracket..... 109351
24. Carb Tube..... 105692-01
- Carb Tube Insert..... 105979
25. Mix Pan Lid..... 107794
26. Top Cover & Evap Assy..... 109361
- 27*. Stirrer Motor Assy..... 109378
- Gear Motor..... 75816
- Magnetic Drive Assy..... 108928
- Motor Bracket, Bottom..... 109456
- Motor Bracket, Top..... 109457
28. Agitator Assy..... 108919
29. Belt..... 58889
30. Driven Pulley..... 10207
- Key, 1/4" Sqr..... 3621
31. Bearing Cap..... 109270
32. Base Pan..... 109348
34. Idler Arm..... 103249
- Plastic Bearing..... 10425
35. Drive Pulley..... 10208
- Key, 3/16" Sqr..... 3632
36. Idler Spring..... 64504
37. Drip Chute..... 109354
38. Back Panel..... 109352
39. Wiring Box Assy..... See Below
- Wiring Box..... 109307
- Terminal Board..... 61073
- Contactor Relay..... 69996
- Micro Switch..... 70008
- Switch Arm Lever..... 105568
- Micro Switch Bracket..... 109306
- Spring Switch Arm..... 7585
- Control Board..... 70513
40. Wiring Box Cover..... 105346-02
- SaniServ Logo..... 16039
42. Evaporator Support (Upper)..... 109238
43. Bearing & Shaft..... 109596
44. Evaporator Support (Lower)..... 109342
45. Dasher Motor 1HP, 1PH..... 75256
- Dasher Motor 1HP, 3PH..... 75641
46. Compressor 2HP, 230/60/3..... 75742
- Compressor 2HP, 230/60/1..... 75736
- Start Capacitor 1PH..... 75738
- Run Capacitor 1PH..... 75739
- Relay 1PH..... 75737
- Mounting Kit..... 75584
47. Spare Parts Kit..... 188118
48. Compressor 2HP, 220/50/1..... 75748
- Start Capacitor 1PH..... 75750
- Run Capacitor 1PH..... 75751
- Relay 1PH..... 75749



ORIGINAL

Refrigeration Parts

- Drier..... 71010
- Expansion Valve..... 71042
- Hi Pressure Switch..... 71090
- Cap Tube..... 108714
- Drier Clamp..... 64089
- Refrigerant (HP 62)..... 42 OZ
- EPR Valve..... 71082

* ON 60HZ MACHINES ONLY

SaniServ Exploded View	Model 404	BOM 4041070, 4043070, 4045070	
	Description 208-230V, 1PH & 3PH, 60Hz; 220/50/1	File 180993E.DWG	
	Wiring Box 1PH 15816, 3PH 15813	ECN 1070	Date 4/4/01
	Wiring Dia. 1PH 81355, 3PH 81354	Sheet 1 of 1	

180993