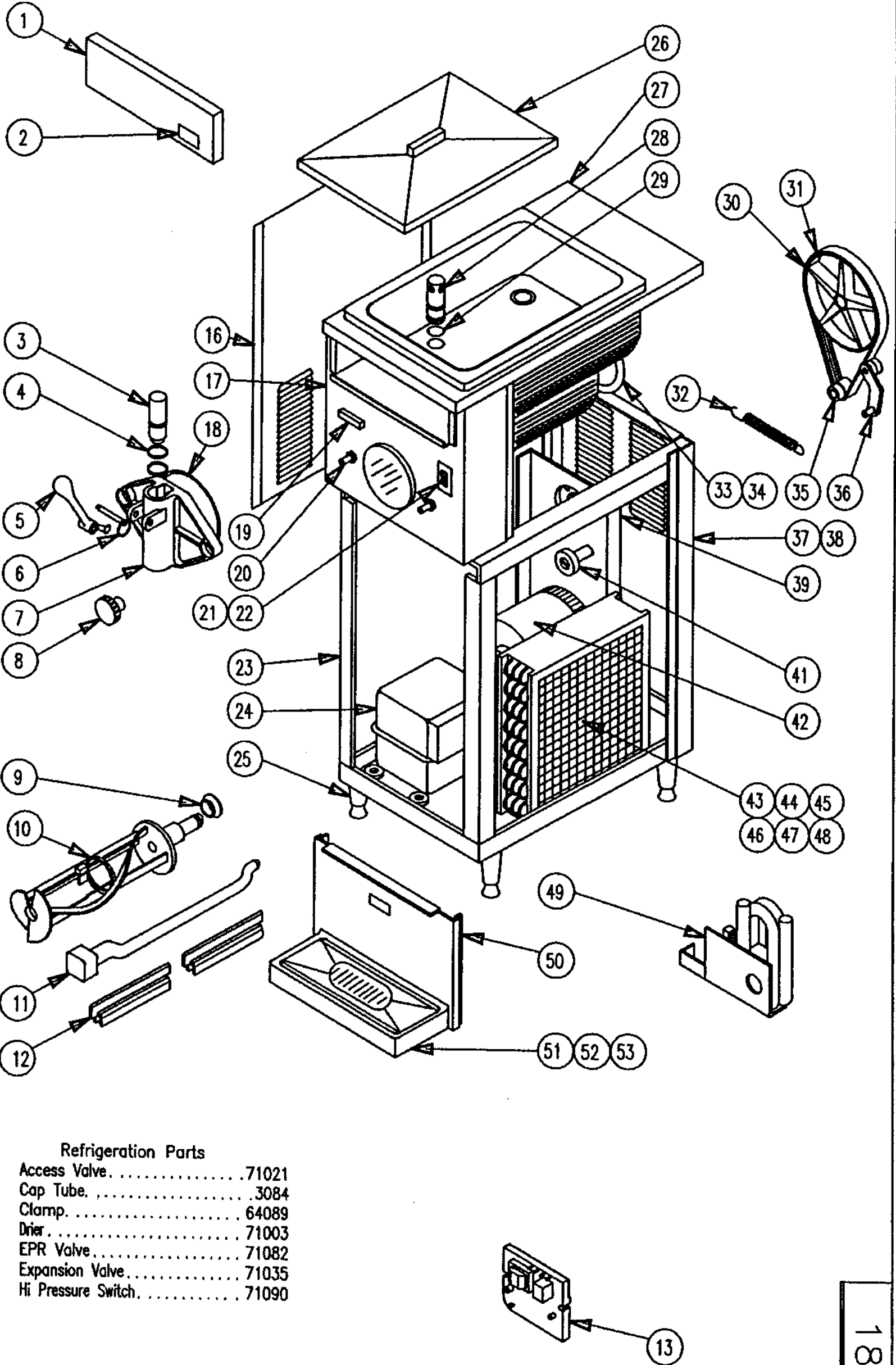


Saniserv.Net

Parts List
(200-220V, 1PH, 50 HZ)
Model 401

1. Wiring Box Cover 105346-02
2. Logo 16039
3. Spigot Plunger 105503
4. Plunger O-Ring (2) 58923
5. Spigot Handle 65632-01
6. Faspin 64255
7. Front Plate 65631
8. Front Plate Knob (2) 64065
9. Rear Seal 108541
10. Dasher 3113-01
11. Stator Rod 65633
12. Scraper Blade (2) 104984
13. Liquid Level Control Board 70598
16. Side Panel (2) 106173
17. Upper Front Panel 105341
18. Front Plate O-Ring 58911
19. Mix Out Light 70423
20. Front Plate Stud (2) 7107
21. Switch 70023
22. Switch Decal 9510-01
23. Frame Assy. 105326
24. Compressor 1 HP, 1PH 75743
- Start Capacitor 75745
- Run Capacitor 75746
- Relay 75744
25. Leg (4) 64135
26. Mix Pan Lid 107794
27. Mix Pan and Evaporator
 Top Cover Assy. 105453
28. Carb Tube 105692-01
- Carb Tube Insert 105979
29. Carb Tube O-Ring (2) 58947
30. Driven Pulley 10207
31. Belt 58880
32. Idler Spring 64504
33. Drip Chute 105360
34. Drip Chute Hanger 105369
35. Drive Pulley 10208
36. Belt Idler 103249
37. A/C Back Panel 106172
38. W/C Back Panel 106175
39. Evaporator Support 106171
41. Bearing & Shaft 2858
42. Dasher Motor 1HP, 1PH 75256
43. A/C Condenser Assy. 75128
44. Motor Bracket 7199
45. Fan Motor 75138
46. Fan Blade 75312
48. A/C Base Plate 106214
- W/C Base Plate 106227
49. W/C Condenser Assy. 105472
- Water Valve 1593
50. Lower Front Panel 106174
51. Drip Tray Support 108968
52. Drip Tray Insert 108866
53. Drip Tray 108865



- Refrigeration Parts
- Access Valve 71021
 - Cap Tube 3084
 - Clamp 64089
 - Drier 71003
 - EPR Valve 71082
 - Expansion Valve 71035
 - Hi Pressure Switch 71090

ORIGINAL

SaniServ
Exploded View

Model 401
Description 220V, 1PH, 50Hz
Wiring Box 15701
Wiring Dia. 81235-2

BOM 4015050, 4015150
File 18081205L.DWG
ECN 0750
Date 10/29/99
Sheet 1 of 1

180812-05
L